

PARTS MANUAL

**H550HD/HDS, H620HD, H650HD/
HDS, H700HD/HDS
(F008)**

CUSTOMER EDITION

HYSTER

SECTIONS

1	FRAME
2	ENGINE ASSEMBLY
3	FUEL SYSTEM
4	ELECTRICAL SYSTEM
5	TRANSMISSION
6	DRIVE AXLE
7	STEERING SYSTEM
8	BRAKE SYSTEM
9	HYDRAULIC SYSTEM
10	MAST-TWO STAGE LIMITED FREE-LIFT
11	MONO MAST
12	ATTACHMENTS
13	OPTIONS
14	FIELD CONVERSION KITS
15	NUMERICAL INDEX

This Parts Manual is divided into 15 major sections which are listed above. Quick reference to these sections can be made by placing the right thumb on the tab of the desired section, bending the book back and thumbing the pages to the corresponding tab.

**Thanks very much for your reading,
Want to get more information,
Please click here, Then get the complete
manual**

JustClickHere 

NOTE:

**If there is no response to click on the link above,
please download the PDF document first, and then
click on it.**

**Have any questions please write to me:
admin@servicemanualperfect.com**

TABLE OF CONTENTS

DESCRIPTION	PAGE
A	
ACCESSORY DRIVE BELT AND TENSIONER	
WATER PUMP	2-18
AIR CLEANER AND INTAKE	3-4
AIR CONDITIONER	
CLIMATE CONTROL CAB	1-148
AIR CONDITIONER ASSEMBLY	
CLOSED CAB WITH AIRCO	1-88
AIR CONDITIONER FILTER AND COVER ASSEMBLY	
CLOSED CAB	1-87
AIR CONDITIONER SYSTEM	
CLIMATE CONTROL CAB	1-146
CLOSED CAB WITH AIRCO	1-86
AIR CONDITIONER SYSTEM ASSEMBLY	
CLOSED CAB WITH AIRCO	1-90
AIR DUCT	
LOUVER, CLIMATE CONTROL CAB	1-140
AIR DUCT ASSEMBLY	
AIR CONDITIONING - CLOSED CAB WITH AIRCO	1-74
HEATER - CLOSED CAB WITHOUT AIRCO	1-72
AIR HORN	1-136
AIR INTAKE	3-28
AIR TRANSFER CONNECTION	3-26
ALTERNATOR AND MOUNTING	4-22
ARMREST ASSEMBLY	1-94
B	
BACK-UP ALARM	13-17
BLOCK HEATER	
120 VOLT	2-10
240 VOLT	2-11
BRAKE ASSEMBLY	
H550	6-18
H620-700	6-20
BRAKE PEDAL AND LINKAGE	8-6
BRAKE PEDAL ASSEMBLY	8-8
BRAKE SYSTEM	8-2
BRAKE VALVE AND ATTACHING PARTS	8-10
C	
CAB	
CLOSED - PAGE 1 OF 2	1-22
CLOSED - PAGE 2 OF 2	1-24
OPEN - PAGE 1 OF 2	1-26
OPEN - PAGE 2 OF 2	1-28
CAB AND TILT CYLINDER MOUNTING	1-50
CAB ASSEMBLY	
CLIMATE CONTROL CAB	1-150
CAB ATTACHING PARTS	1-56

TABLE OF CONTENTS (continued)

DESCRIPTION	PAGE
CAB DOOR	
LEFT HAND - CLOSED CAB	1-38
RIGHT HAND - CLOSED CAB	1-36
CAB MAIN DOOR WINDOW	
RIGHT AND LEFT HAND	1-99
CAB RECIRCULATING FAN	
CLOSED CAB	1-76
CAB SUNSHADE	
REAR - CLOSED CAB WITH AIRCO	1-34
TOP - CLOSED CAB WITH AIRCO	1-33
CAB TILT CYLINDER	1-60
CAB TILT PUMP	
ELECTRIC	1-58
CAB TILT PUMP AND ATTACHING PARTS	1-52
CAB TILT PUMP ASSEMBLY	1-54
CAB WINDOWS INSTALLATION	
CLOSED CAB	1-40
CABIN HEATER PLUMBING	2-27
CAMSHAFT AND TIMING GEAR	2-16
CARRIAGE	
APRON TYPE, SIDE-SHIFT WITH FORK POSITIONER - SHEET 1 OF 2	12-14
APRON TYPE, SIDE-SHIFT WITH FORK POSITIONER - SHEET 2 OF 2	12-18
APRON TYPE, SIDE-SHIFT WITHOUT FORK POSITIONER	12-6
APRON TYPE, SIDE-SHIFT WITHOUT FORK POSITIONER - MONO MAST	12-10
DUAL FUNCTION SIDE-SHIFT FORK POSITIONER	12-4
STANDARD PIN TYPE	12-2
CARRIAGE HYDRAULICS	
DUAL FUNCTION SIDE-SHIFT FORK POSITIONER	12-26
STANDARD PIN TYPE	12-22
CLIMATE CONTROL SYSTEM	1-144
COIL RAM AND ATTACHING PARTS	
HOOK TYPE FORKS	12-31
PIN TYPE FORKS	12-30
COMPRESSOR ASSEMBLY	1-80
CONDENSER	
CLOSED CAB WITH AIRCO	1-92
CONDENSER SYSTEM	1-156
CONTROL PANEL ASSEMBLY	
HEATER	4-8
HEATER AND AIR CONDITIONER	4-9
COOLANT HEATER STARTING AID PLUGS	2-46
COOLER ASSEMBLY	2-6
COOLING SYSTEM	2-4
COUNTERWEIGHT	1-20
CRANKCASE BREATHER	2-66
CRANKSHAFT	2-50
CRANKSHAFT MAIN BEARINGS	2-48
CYLINDER BLOCK	2-52
CYLINDER HEAD	2-54

TABLE OF CONTENTS (continued)

DESCRIPTION	PAGE
D	
DASH ASSEMBLY	1-70
DC-DC CONVERTER AND ATTACHING PARTS	4-10
DELUXE SUSPENSION SEAT	1-126
DIFFERENTIAL AND CARRIER	
H550	6-8
H620-700	6-10
DIRECTIONAL CONTROL VALVE ASSEMBLY	
FOUR-SECTION - DUAL FUNCTION SIDE-SHIFT FORK POSITIONER CARRIAGES	12-46
THREE-SECTION - APRON AND DUAL FUNCTION SIDE-SHIFT FORK POSITIONER CARRIAGES	12-45
TWO-SECTION - STANDARD PIN-TYPE CARRIAGES	12-44
DRIVE AXLE ASSEMBLY	6-4
DRIVE AXLE HOUSING ASSEMBLY	
H550	6-6
H620-700	6-7
DRIVE AXLE MOUNTING	
H550	6-2
H620-700	6-3
DRIVE TIRES AND WHEELS	
14 X 24	6-24
16 X 25	6-26
TRELLEBORG TR900 - 14 X 24	6-28
TRELLEBORG TR900 - 16 X 25	6-30
E	
ELECTRIC HORN	4-17
ELECTRICAL SYSTEM	4-2
EMPTY SEAT ENGINE SHUTDOWN	
3/2010 →	13-9
ENGINE CONTROL SYSTEM	4-20
ENGINE MOUNTING	2-2
EXHAUST CONNECTION	
TURBOCHARGER	2-29
EXHAUST MANIFOLD	2-23
EXHAUST SYSTEM	2-8
F	
FAN DRIVE	2-42
FAN SPACER	2-25
FLOOR MATS	1-98
FLOORPLATES AND COVERS	1-4
FLUID INDICATOR AND ATTACHING PARTS	5-6
FLYWHEEL	2-43
FLYWHEEL HOUSING	2-44
FORK GUIDE ASSEMBLY	12-34
FORK GUIDE LOCK	12-35
FORK POSITIONER CYLINDER ASSEMBLY	12-47

TABLE OF CONTENTS (continued)

DESCRIPTION	PAGE
FORKS	
PIN TYPE	12-32
PIN TYPE WITH BOTTOM HOOKS	12-33
FORWARD/REVERSE PEDAL LINKAGE	3-6
FRONT GEAR COVER	2-38
FUEL FILTER	3-16
FUEL FILTER PLUMBING	3-20
FUEL INJECTOR	3-12
FUEL INJECTOR PLUMBING	3-14
FUEL PLUMBING	3-18
FUEL PUMP	3-24
FUEL TANK	3-2
FUEL TRANSFER PUMP	3-22
G	
GEAR HOUSING	2-62
GEAR PUMP ASSEMBLY	9-36
H	
HAND PUMP	1-64
HANDHOLD AND UNDERFLOOR COVER	
OPEN CAB	1-48
HEADER HOSES AND ATTACHING PARTS	10-18
HEATED TOP WINDOW	
CLIMATE CONTROL CAB	13-15
HEATER AND AIR CONDITIONER	1-78
HEATER AND AIR DUCT	
CLOSED CAB WITHOUT AIRCO	1-84
HEATER ASSEMBLY	
CLOSED CAB WITHOUT AIRCO	1-82
HEATER SYSTEM	
CLOSED CAB WITHOUT AIRCO	1-85
HOODS AND COVERS	
H550-700HD	1-8
H550HDS	1-16
H650-700HDS	1-12
HUB AND SHAFT ASSEMBLY	
H550	6-14
H620-700	6-16
HYDRAULIC CONTROL VALVE	
HIC, BRAKE/ACCUMULATOR BLOCK ASSEMBLY	9-24
HIC, MID-INLET BLOCK ASSEMBLY	9-22
LIFT SECTION ASSEMBLY, LH	9-20
LIFT SECTION ASSEMBLY, RH	9-18
TILT SECTION ASSEMBLY	9-16
HYDRAULIC CONTROL VALVE AND ATTACHING PARTS	9-10
HYDRAULIC CONTROL VALVE ASSEMBLY	9-14
AUXILIARY SECTION ASSEMBLY	9-26

TABLE OF CONTENTS (continued)

DESCRIPTION	PAGE
HYDRAULIC CONTROLS	
JOYSTICK - FORK LIFT TRUCK	9-38
HYDRAULIC LEVERS	
FOUR-LEVER CONTROL PANEL - WITH CLAMPING	9-46
FOUR-LEVER CONTROL PANEL - WITHOUT CLAMPING	9-48
THREE-LEVER CONTROL PANEL	9-44
TWO-LEVER CONTROL PANEL	9-42
HYDRAULIC SUPPLY AND RETURN	
SHEET 1 OF 2	9-2
SHEET 2 OF 2	9-4
HYDRAULIC TANK	9-8
I	
INDICATOR DISPLAY AND CONTROLS	4-6
INSULATION MATS AND AIR DUCT	
CLIMATE CONTROL CAB	1-138
J	
JOYSTICK ASSEMBLY	
FORK LIFT TRUCK	9-40
L	
LABELS	
HYDRAULIC CONTROLS	1-130
MAIN - SHEET 1 OF 2	1-132
MAIN - SHEET 2 OF 2	1-134
LIFT ACCUMULATOR AND ATTACHING PARTS	9-34
LIFT CYLINDER ASSEMBLY	11-6
LIFT CYLINDER ATTACHING PARTS	11-4
LIFTING BRACKET	2-28
LIFTING EYES	
2745 MM, 3050 MM, AND 3655 MM MAST LIFT HEIGHTS	13-12
4265 MM AND GREATER MAST LIFT HEIGHTS	13-13
LIGHT SWITCHES	4-16
LIGHTS	
CAB WORK - HALOGEN	13-20
CAB WORK - HID	13-22
DIRECTIONAL AND MARKER	13-16
FRONT DRIVE	13-18
MAST WORK	13-4
REAR LED	13-19
STROBE ASSEMBLY - WITHOUT CONDENSER	13-2
STROBE ASSEMBLY - WITH CONDENSER	13-3
LOCKOUT LEVER	4-14
LOUVER - HEAVY DUTY AIRCO	14-2
M	
MAIN LIFT CYLINDER	
H550	10-11
H650-700	10-14

TABLE OF CONTENTS (continued)

DESCRIPTION	PAGE
MAP LIGHT	4-15
MAST	
INNER MAST	10-6
OUTER MAST AND MAIN LIFT	10-2
MAST ASSEMBLY	11-2
MAST INSTALLATION	10-10
MIRRORS	13-6
MONOTROL PEDAL ASSEMBLY	3-10
MONOTROL PEDAL LINKAGE	3-8
MUDFLAPS	
FRONT	13-7
REAR	13-8
O	
OIL DRAIN CONNECTION AND ACCESSORY HOLE COVER	2-36
OIL FILLER	2-40
OIL FILTER AND COOLER	2-32
OIL LEVEL GAUGE	2-34
OIL PAN	2-64
OIL PUMP	2-35
OPERATOR COMPARTMENT RETROFIT KIT	14-2
OPTIONAL MOUNTING EQUIPMENT (HANDLE)	13-14
OVERHEAD GUARD	
WIRE MESH	1-30
P	
PARK BRAKE ASSEMBLY	6-22
PARK BRAKE KIT	14-2
PISTON AND CONNECTING ROD	2-14
PIVOT ARM ASSEMBLY	1-96
R	
RADIATOR PLUMBING	2-31
RADIO CONSOLE AND ATTACHING PARTS	
CLOSED CAB ONLY	1-154
RAIN TOP	
OPEN CAB	1-32
REAR LOCKING CONSOLE	1-42
RELAYS AND FUSES	4-42
ROCKER LEVERS	2-56
S	
SEAT AND SUSPENSION MOUNTING	
STANDARD SUSPENSION SEAT	1-115
SEAT ASSEMBLY	
CLIMATE CONTROL CAB	1-142
SUSPENSION - WITH FABRIC COVER (→ 3/2010)	1-104
SUSPENSION - WITH FABRIC COVER (3/2010 →)	1-108
SUSPENSION - WITH VINYL COVER	1-112

TABLE OF CONTENTS (continued)

DESCRIPTION	PAGE
SEAT SUSPENSION ASSEMBLY	
AIR - STANDARD SUSPENSION SEAT	1-122
MECHANICAL - STANDARD SUSPENSION SEAT	1-118
SECOND 12V SOCKET OPTION	
CLIMATE CONTROL CAB	4-82
SEPARATOR	
H550HD	1-68
H550HDS	1-66
SIDE-SHIFT AND FORK POSITIONER CYLINDER	
LONG CYLINDER - H550	12-40
LONG CYLINDER - H620-700	12-42
SHORT CYLINDER - H550	12-36
SHORT CYLINDER - H620-700	12-38
SOUND LINERS	
PAGE 1 OF 2	1-44
PAGE 2 OF 2	1-46
START AID	4-18
STARTER MOTOR	4-24
STEER AXLE	
HUB ASSEMBLY	7-10
SPINDLE ASSEMBLY	7-12
STEER AXLE AND ATTACHING PARTS	7-2
STEER COLUMN ASSEMBLY	7-16
STEER CYLINDER	7-8
STEER TIRES AND WHEELS	
14 X 24	7-14
16 X 25	7-15
TRELLEBORG TR900 - 14 X 24	7-20
TRELLEBORG TR900 - 16 X 25	7-21
STEERING COLUMN	7-18
STEERING CONTROL UNIT ASSEMBLY	7-24
STEERING HOSES	7-4
STEERING VALVE AND ATTACHING PARTS	7-6
SUSPENSION KIT ASSEMBLY	1-128
T	
TELEMETRY KITS	14-2
THERMOSTAT	2-30
TILT CYLINDER	
6 AND 15 DEG FWD/10 DEG BACK	9-32
6 DEG FWD/6 DEG BACK	9-33
TILT CYLINDERS AND ATTACHING PARTS	
→ S/N F008E01517H	9-28
S/N F008E01518H →	9-30
TILT INDICATOR	13-10
TILT PLATFORM ASSEMBLY	1-62
TORQUE CONVERTER AND OIL COOLER FITTINGS	2-22
TRAINING SEAT	1-152

TABLE OF CONTENTS (continued)

DESCRIPTION	PAGE
TRANSMISSION	
CASE AND REAR COVER	5-12
CHARGING PUMP	5-24
CONVERTER HOUSING	5-8
DRIVE PLATES	5-10
FORWARD AND THIRD SHAFT	5-20
GEARS	5-14
INPUT SHAFT AND FIRST CLUTCH	5-16
OUTPUT SHAFT	5-25
PUMP DRIVE	5-22
REVERSE AND SECOND CLUTCH	5-18
TORQUE CONVERTER	5-11
TRANSMISSION CONTROL	4-12
TRANSMISSION CONTROL VALVE	
MODULATOR VALVE ASSEMBLY	5-30
REGULATOR VALVE ASSEMBLY	5-28
TRANSMISSION CONTROL VALVE ASSEMBLY	5-27
TRANSMISSION CONTROL VALVE ATTACHING PARTS	5-26
TRANSMISSION DIAGNOSTICS INTERFACE CABLE	13-11
TRANSMISSION HOSES AND ATTACHING PARTS	5-4
TRANSMISSION MOUNTING	5-2
TURBOCHARGER	2-12
TURBOCHARGER PLUMBING	2-20
U	
UNIVERSAL SHAFT	
H550	5-32
H620-700	5-33
V	
VALVE COVER	2-58
VALVE TAPPET	2-26
VIBRATION DAMPER	2-24
W	
WATER INLET CONNECTION	2-60
WATER OUTLET CONNECTION	2-19
WATER PUMP	2-17
WINDOW WIPER SYSTEM	
REAR AND ROOF WIPER KITS - AND FRONT WIPER OPTIONS	1-102
WASHER BOTTLE KIT	1-100
WIRE HARNESS	
ARMREST	4-26
CAB LIGHTS	4-48
CAB SIDE CONSOLE, PAGE 1 OF 4	4-30
CAB SIDE CONSOLE, PAGE 2 OF 4	4-34
CAB SIDE CONSOLE, PAGE 3 OF 4	4-38
CAB SIDE CONSOLE, PAGE 4 OF 4	4-40
CAB UNDERFLOOR	4-46
CHASSIS - SHEET 1 OF 2	4-50

TABLE OF CONTENTS (continued)

DESCRIPTION	PAGE
CHASSIS - SHEET 2 OF 2	4-54
CLOSED CAB	4-58
DFSSFP CARRIAGE	4-83
ENGINE CONTROL MODULE	4-78
FRONT DRIVE LIGHTS	4-61
HYDRAULICS	4-62
MAST	4-80
MAST WORK LIGHTS - MAIN	4-64
MAST WORK LIGHTS - LH	4-65
MAST WORK LIGHTS - RH	4-66
OPEN CAB	4-67
POWERED CAB TILT	4-68
REAR	4-69
REAR WIPER EXTENSION - CLOSED CAB	4-70
SIDE AND INDICATOR LIGHTS	4-71
STD/SS CARRIAGE	4-84
STEER COLUMN	4-72
TAIL LIGHT	4-73
WASH PUMPS - CLOSED CAB	4-74
WIRE HARNESS AND SWITCH ASSEMBLY	
MONOTROL PEDAL	4-76

ABBREVIATIONS QUICK REFERENCE SHEET

Listed below are abbreviations used in parts manuals to denote the following expressions:

TERM	DEFINITION	TERM	DEFINITION
Amp	Amperes	FRE	Freezer Environment
AR	As Required	in.	inches
BDI	Battery Discharge Indicators	LPG	Liquefied Petroleum Gas
BWI	Brush Wear Indicator	MAP	Manifold Absolute Pressure
CE	Communicator End	mm	millimeters
CRE	Corrosive Environment	MSTS	Microprocessor Spark Timing System
D/B	Date Break	NPT	National Pipe Threads
dbA	Decibel "A" Scale	O/S	Oversize
DE	Drive End	PTO	Power Take Off
ECH	Empty Container Handler	RPM	Revolutions per Minute
ECH-3	Empty Container Handler - 3 High Stacking	S/N	Serial Number
ECH-4	Empty Container Handler - 4 High Stacking	TMM	Truck Management Module
ECH-5	Empty Container Handler - 5 High Stacking	UL Type D	Diesel-Powered Safety Rating
ECH-6	Empty Container Handler - 6 High Stacking	UL Type DS	Diesel-Powered Safety Rating
ECH-7	Empty Container Handler - 7 High Stacking	UL Type E	Battery-Powered Safety Rating
ECM	Electronic Control Module	UL Type EE	Battery-Powered Safety Rating
ECN	Engineering Change Notice	UL Type ES	Battery-Powered Safety Rating
EEPROM	Electrically Erasable Programmable Read Only Memory	UL Type G	Gasoline-Powered Safety Rating
EPA	US Environmental Protection Agency	UL Type GS	Gasoline-Powered Safety Rating
EPROM	Electrically Programmable Read Only Memory	UL Type LP	Gas-Powered Safety Rating
		UL Type LPS	LP Gas-Powered Safety Rating
		U/S	Undersize
		UL	Underwriters Laboratory
		V	Volts

HOW TO USE THE ILLUSTRATED PARTS MANUAL

This parts manual describes and illustrates assemblies, subassemblies, and detail parts needed for service replacement.

The different constructions are indicated by keys and footnotes. The callouts correspond to descriptions found on the next page.

HYSTER UNIT CODE D001 NORTH AMERICA 06/2001

TABLE OF CONTENTS

DESCRIPTION	PAGE
AIR INTAKE AND FILTER DIESEL (→ D/B 11/98).....	3-22
AIR INTAKE AND FILTER DIESEL (D/B 11/96 →).....	
AIR INTAKE AND FILTER GASOLINE AND LPG.....	
ALTERNATOR GASOLINE, LPG, AND DIESEL.....	
ALTERNATOR TYPES GS, LPS, AND DS.....	
AUXILIARY FUNCTION TUBE TWO AND THREE STAGE FULL P.....	

SECTION 13 NUMERICAL INDEX

PART NO.	PAGE	ITEM NO.	PART NO.	PAGE	ITEM NO.	PART NO.	PAGE	ITEM NO.	PART NO.	PAGE	ITEM NO.
142	3-4	19	10-13	25		11-27	29	12-31	12		
12445	3-32	19	10-17	6		11-31	25	16719	3-36		5
	3-34	1	10-27	11		11-32	37	16751	3-16		27
			11	11		16849	8-4	16849	3-34		21
			11	6	16485	8-4	29	16863	3-36		20
			12	6		8-4	45	16865	3-28		17
			13	13		8-8	34	16865	3-6		18
			14	6		9-7	9	16882	4-27		41
			17	17		9-7	19		9-7		30
			10	10		9-11	9		9-11		27
			23	46		9-11	17		10-10		36
			27	46		10-9	21		10-13		32
			26	14		10-9	28		11-7		24
			28	14		10-13	16		11-9		17
			30	14		11-7	19				

SECTIONS

- 1
- 2
- 3
- 4
- 5 BRAKE/ACC
- 6
- 7 MAST-TWO STAG
- 8 MAST-THREE ST
- 9 MAST-TWO ST
- 10
- 11

TRANSMISSION HOUSING
S/N D001H-2628

KEY:
A: Diesel
B: Gasoline and LPG

ITEM	PART NO.	DESCRIPTION	QTY	
			A	B
		Transmission	1	1
		Case	1	1
1	2021670	Bearing Cap	2	2
2	2023418	Washer	4	4
3	296429	Bolt	4	4
4	293947	Cover	1	1
5	2021390	Coller Pin	2	2
6	1371656	O-Ring	4	4
7	2021329	Plug	1	1
8	2021915	Housing	4	4
9	2021675	Pin	22	22
10	2021336	Bolt	39	39
11	287860	Lockwasher	1	1
12	292682	Hydraulic Pump	1	1
13		Figure 5-3	8	8
14	2021345	Gasket	1	1
15	214364	Bolt	1	1
16	296418	Washer	1	1
17	2021388	Temperature Switch	1	1
18	2021389	Breather	9	9
19	2021383	Dipstick	9	9
20	292515	Bolt	2	2
21	136692	Nut	3	3
22	292527	Bolt	3	2
23	292531	Capscrew	4	4
24	292583	Lockwasher	4	4
25	293637	Bolt	1	1
26	296420	Washer	1	1
	996403	Transmission Kit (Includes Item 7)	1	1
	996405	Transmission Kit (Includes Item 14)	1	1

This Parts Manual is divided into 11 major sections which are listed above. Quick be made by placing the right thumb on the tab of the desired section, bending the pages to the corresponding tab.

© Copy Right Date HYSTER COMPANY See Service Manual for service procedures. 5-15

HOW TO FIND THE DESIRED PART NUMBER

WHEN THE PART NUMBER AND THE NEXT HIGHER ASSEMBLY IS NOT KNOWN:

1. Determine the function and application of the part required. Turn to the Sections Page. Choose the general area of reference most likely to include the part.
2. Turn to the section you chose. Use the Section Table of Contents to determine the assembly which would normally contain the part required. Then locate the part on the assembly breakdown page.

WHEN THE PART NUMBER IS NOT KNOWN AND THE NEXT HIGHER ASSEMBLY IS KNOWN:

3. Determine the assembly the required part is used on. Turn to the Table of Contents (Page i).
4. Locate the assembly the required part is used on and turn to the page indicated for that assembly. Then locate the part on the assembly breakdown page.

WHEN THE PART NUMBER IS KNOWN:

5. Use the Numerical Index (Page 15-1) to find the part number. Turn to the page listed and locate the part as indicated by the item number.

GENERAL:

The assembly breakdowns include part numbers, descriptions, quantities required, keys and footnotes to help in selecting correct parts.

6. Parts Supersession Information. Part numbers that have this history will be displayed in the parts list in the order that they were superseded (from oldest to newest). The superseded part numbers will be shown with a line through them.

Five periods in the PART NO. column (.) indicate that the part is either *Not Serviced Separately* or there is a reference to another figure. A figure reference is denoted by a pointing hand followed by a figure number in the DESCRIPTION column (☞ Figure 10)

7. Keys are used to show two or more similar assemblies, RH and LH assembly parts, etc. Select the appropriate key, "A", "B", "C", "D", or "E" and the corresponding quantity column to find the required parts. Two periods in the QTY column (..) indicate that the part is not used for that assembly.
8. Indented descriptions under the DESCRIPTION column are used to indicate assemblies and

subparts of assemblies. In the example on the previous page, *BEARING CAP* (Item 2) is a subpart of the major assembly *CASE*.

9. Quantities shown are for one assembly. The quantities of the subpart *BEARING CAP* are indicated as two and two. This means two per *CASE* assembly.
10. Serial number breaks identify the most current parts information and are shown as follows:
 - **S/N D001H2628**
Indicates last serial number affected.
 - S/N D001H2629** →
Indicates the first serial number affected.
 - S/N D001H1553** ↔ **S/N D001H3291**
Indicates a range of serial numbers affected.

ECN numbers for pending serial numbers are shown to allow for the inclusion of the most current parts information and are identified as follows:

- **S/N Pending Per ECN 63243**
Indicates a pending serial number for last unit affected.
- S/N Pending Per ECN 63243** →
Indicates a pending serial number for first unit affected.

Date breaks are used to indicate when a change occurred but a subsequent serial number break was not recorded. This is an arbitrary date usually based on the ECN release and are identified as follows:

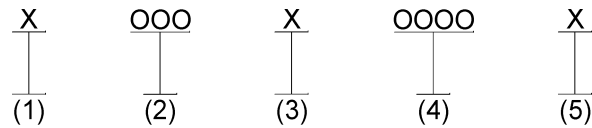
- **D/B 3/00**
Indicates that a change occurred sometime within that month for the item affected.
- D/B 3/00** →
Indicates that a change occurred sometime within that month for the item affected.
- D/B 3/00** ↔ **D/B 4/00**
Indicates a range of production dates of the item affected.

Contact your local dealer for Hyster lift trucks for serial number information for items with a ECN or a date break.

ORDERING PARTS:

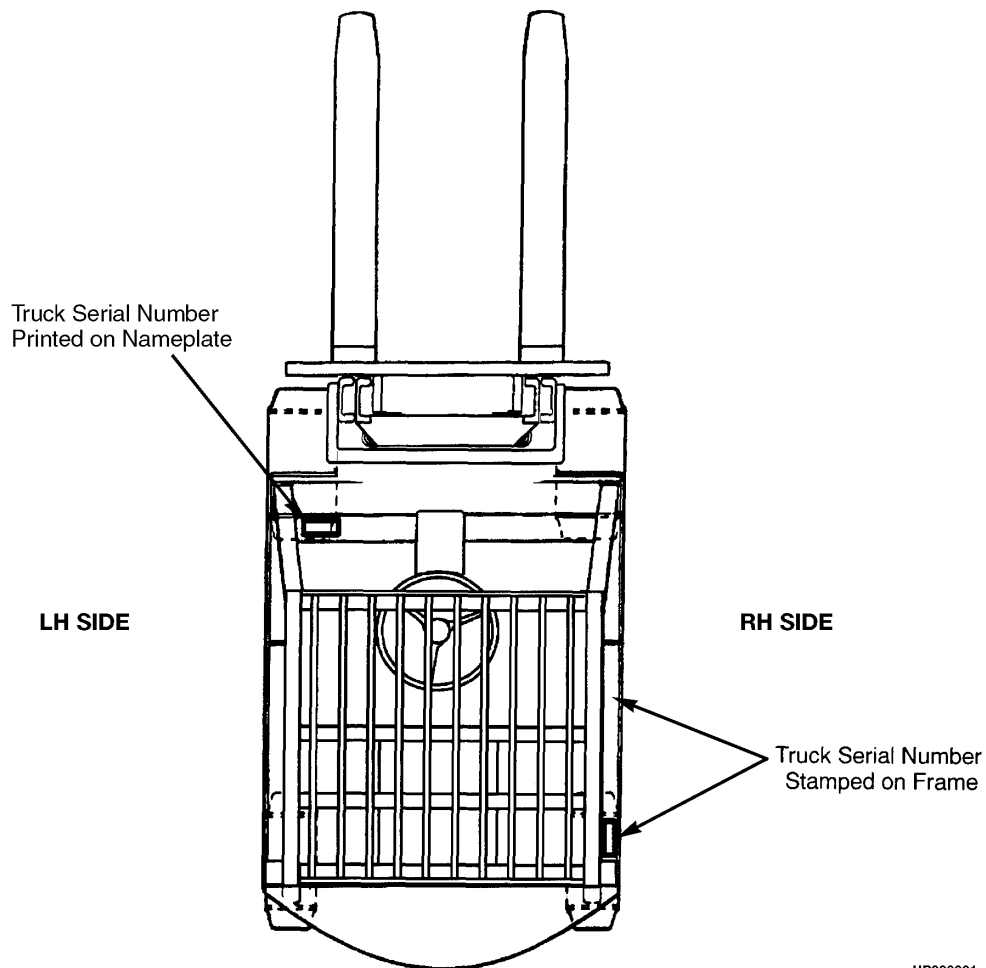
When ordering replacement parts, give the unit serial number, part number, name of part and quantity required.

For any further information on parts, service, or ordering, consult your local dealer for Hyster lift trucks.

IDENTIFICATION OF TRUCK SERIAL NUMBERS

- (1) and (2) The first letter and three numbers indicate the truck unit code.
- (3) The second letter indicates the plant of manufacture.
- (4) The four or five digit number indicates the production sequence number of the truck.
- (5) The final letter indicates the year of manufacture starting with "A" in 1957, 1980, and 2003.
The letters "I", "O", and "Q" will not be used.

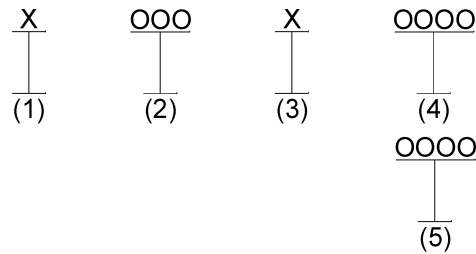
For pending serial numbers contact your local dealer for Hyster lift trucks.



HP990001

Parts referred to in this book as right or left hand parts are in accordance with the illustration above.

IDENTIFICATION OF MAST SERIAL NUMBERS



- (1) and (2) The first letter and number indicates the mast unit code.
- (3) The second letter indicates the plant of manufacture.
- (4) The four or five digit number indicates the production sequence number of the mast.
- (5) Carriage travel in millimeters stamped just below the serial number.

Mast Group identification consists of mast unit code (1) and (2) plus carriage travel (5).

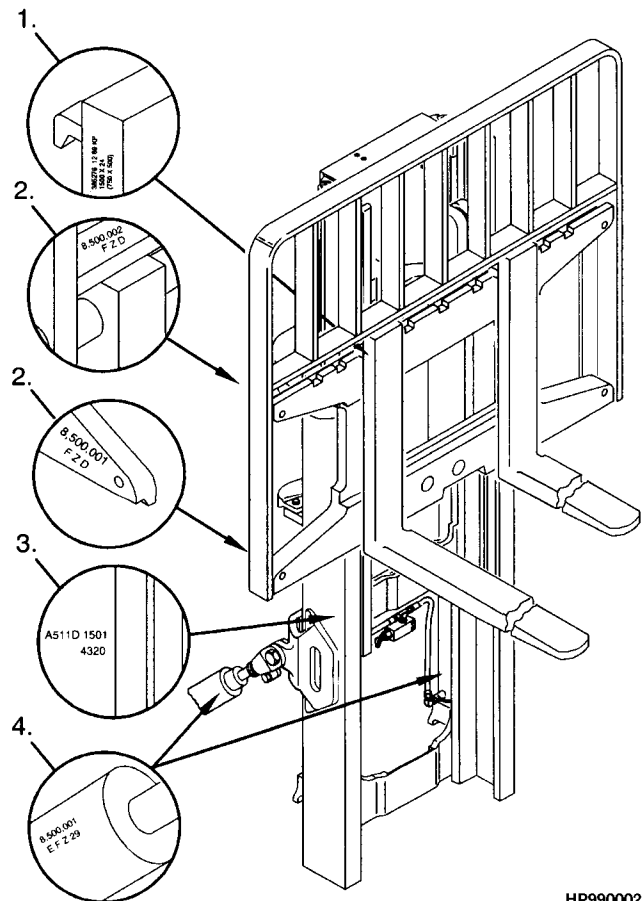
For pending production sequence numbers contact your local dealer for Hyster lift trucks.

LIFT EQUIPMENT IDENTIFICATION

1. Fork part number, capacity rating, plant code letter, and date of manufacture are stamped approximately six inches below the top of most forks.
2. The carriage group number is stamped on the right hand side of the top crossmember (pin type) or on the back of the right hand end of the bottom crossmember (hook type). A date code has two letters in line with or below the carriage group number.
3. The mast identification number has a unit code, a letter indicating the plant of manufacture, and a serial number. Underneath the production sequence number is a four digit number that indicates the carriage travel in millimeters.
4. Tilt and lift cylinder group numbers are stamped on the cylinder shell.

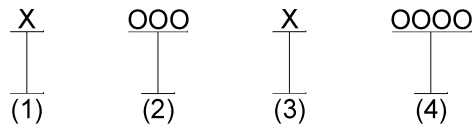
Always refer to the group, serial, or part number when ordering service parts.

Modification of masts and carriages by SPED (Special Products Engineering Department) are identified by a model prefix code beginning with the letter "S". contact your dealer for Hyster lift trucks for information on these assemblies.

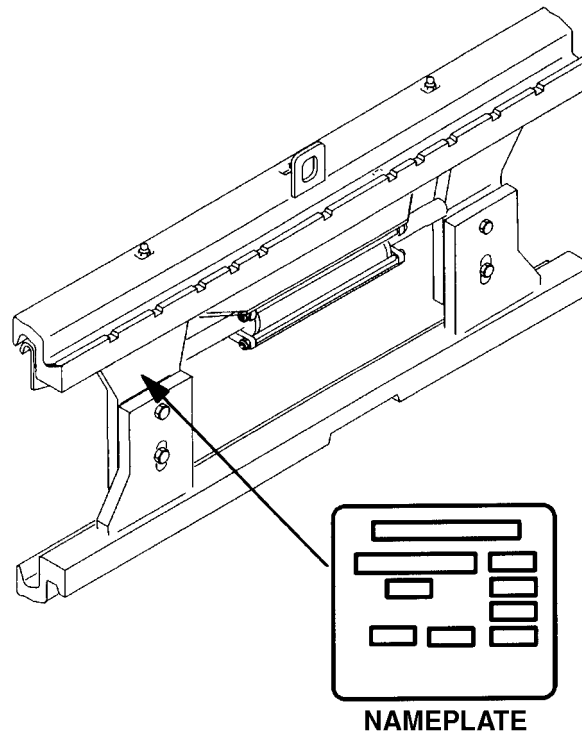


HP990002

IDENTIFICATION OF ATTACHMENT AND SIDE-SHIFT CARRIAGE SERIAL NUMBERS



- (1) and (2) The first letter and three numbers indicate the attachment unit code.
- (3) The second letter indicates the plant of manufacture.
- (4) The four or five digit number indicates the production sequence number.
- For pending production sequence numbers contact your local dealer for Hyster lift trucks.



HP990003

Side-shift carriages and attachments have nameplates. Use the serial number found on the nameplate to identify the attachment.

Always refer to the group, serial, or part number when ordering service parts.

Modifications of attachments and side-shift carriages by SPED (Special Products Engineering Department) are identified by a model prefix code beginning with the letter "S". Contact your dealer for Hyster lift trucks for information on these assemblies.